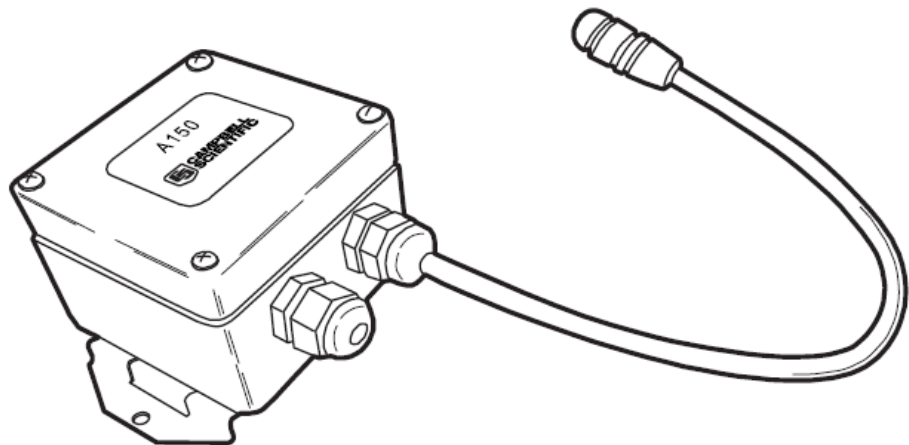


USER MANUAL

A150 Desiccated Case



Issued: 2.3.15

Copyright © 2011-2015 Campbell Scientific, Inc.
Printed under licence by Campbell Scientific Ltd.

Guarantee

This equipment is guaranteed against defects in materials and workmanship. This guarantee applies for 24 months from date of delivery. We will repair or replace products which prove to be defective during the guarantee period provided they are returned to us prepaid. The guarantee will not apply to:

- Equipment which has been modified or altered in any way without the written permission of Campbell Scientific
- Batteries
- Any product which has been subjected to misuse, neglect, acts of God or damage in transit.

Campbell Scientific will return guaranteed equipment by surface carrier prepaid. Campbell Scientific will not reimburse the claimant for costs incurred in removing and/or reinstalling equipment. This guarantee and the Company's obligation thereunder is in lieu of all other guarantees, expressed or implied, including those of suitability and fitness for a particular purpose. Campbell Scientific is not liable for consequential damage.

Please inform us before returning equipment and obtain a Repair Reference Number whether the repair is under guarantee or not. Please state the faults as clearly as possible, and if the product is out of the guarantee period it should be accompanied by a purchase order. Quotations for repairs can be given on request. It is the policy of Campbell Scientific to protect the health of its employees and provide a safe working environment, in support of this policy a "Declaration of Hazardous Material and Decontamination" form will be issued for completion.

When returning equipment, the Repair Reference Number must be clearly marked on the outside of the package. Complete the "Declaration of Hazardous Material and Decontamination" form and ensure a completed copy is returned with your goods. Please note your Repair may not be processed if you do not include a copy of this form and Campbell Scientific Ltd reserves the right to return goods at the customers' expense.

Note that goods sent air freight are subject to Customs clearance fees which Campbell Scientific will charge to customers. In many cases, these charges are greater than the cost of the repair.



Campbell Scientific Ltd,
80 Hathern Road,
Shepshed, Loughborough, LE12 9GX, UK
Tel: +44 (0) 1509 601141
Fax: +44 (0) 1509 601091
Email: support@campbellsci.co.uk
www.campbellsci.co.uk

PLEASE READ FIRST

About this manual

Please note that this manual was originally produced by Campbell Scientific Inc. primarily for the North American market. Some spellings, weights and measures may reflect this origin.

Some useful conversion factors:

Area: 1 in ² (square inch) = 645 mm ²	Mass: 1 oz. (ounce) = 28.35 g 1 lb (pound weight) = 0.454 kg
Length: 1 in. (inch) = 25.4 mm 1 ft (foot) = 304.8 mm 1 yard = 0.914 m 1 mile = 1.609 km	Pressure: 1 psi (lb/in ²) = 68.95 mb
	Volume: 1 UK pint = 568.3 ml 1 UK gallon = 4.546 litres 1 US gallon = 3.785 litres

In addition, while most of the information in the manual is correct for all countries, certain information is specific to the North American market and so may not be applicable to European users.

Differences include the U.S standard external power supply details where some information (for example the AC transformer input voltage) will not be applicable for British/European use. *Please note, however, that when a power supply adapter is ordered it will be suitable for use in your country.*

Reference to some radio transmitters, digital cell phones and aerials may also not be applicable according to your locality.

Some brackets, shields and enclosure options, including wiring, are not sold as standard items in the European market; in some cases alternatives are offered. Details of the alternatives will be covered in separate manuals.

Part numbers prefixed with a “#” symbol are special order parts for use with non-EU variants or for special installations. Please quote the full part number with the # when ordering.

Recycling information



At the end of this product's life it should not be put in commercial or domestic refuse but sent for recycling. Any batteries contained within the product or used during the products life should be removed from the product and also be sent to an appropriate recycling facility.

Campbell Scientific Ltd can advise on the recycling of the equipment and in some cases arrange collection and the correct disposal of it, although charges may apply for some items or territories.

For further advice or support, please contact Campbell Scientific Ltd, or your local agent.



Campbell Scientific Ltd, Campbell Park, 80 Hathern Road, Shepshed, Loughborough, LE12 9GX, UK
Tel: +44 (0) 1509 601141 Fax: +44 (0) 1509 601091
Email: support@campbellsci.co.uk
www.campbellsci.co.uk

Precautions

DANGER — MANY HAZARDS ARE ASSOCIATED WITH INSTALLING, USING, MAINTAINING, AND WORKING ON OR AROUND **TRIPODS, TOWERS, AND ANY ATTACHMENTS TO TRIPODS AND TOWERS SUCH AS SENSORS, CROSSARMS, ENCLOSURES, ANTENNAS, ETC.** FAILURE TO PROPERLY AND COMPLETELY ASSEMBLE, INSTALL, OPERATE, USE, AND MAINTAIN TRIPODS, TOWERS, AND ATTACHMENTS, AND FAILURE TO HEED WARNINGS, INCREASES THE RISK OF DEATH, ACCIDENT, SERIOUS INJURY, PROPERTY DAMAGE, AND PRODUCT FAILURE. TAKE ALL REASONABLE PRECAUTIONS TO AVOID THESE HAZARDS. CHECK WITH YOUR ORGANIZATION'S SAFETY COORDINATOR (OR POLICY) FOR PROCEDURES AND REQUIRED PROTECTIVE EQUIPMENT PRIOR TO PERFORMING ANY WORK.

Use tripods, towers, and attachments to tripods and towers only for purposes for which they are designed. Do not exceed design limits. Be familiar and comply with all instructions provided in product manuals. Manuals are available at www.campbellsci.eu or by telephoning +44(0) 1509 828 888 (UK). You are responsible for conformance with governing codes and regulations, including safety regulations, and the integrity and location of structures or land to which towers, tripods, and any attachments are attached. Installation sites should be evaluated and approved by a qualified engineer. If questions or concerns arise regarding installation, use, or maintenance of tripods, towers, attachments, or electrical connections, consult with a licensed and qualified engineer or electrician.

General

- Prior to performing site or installation work, obtain required approvals and permits. Comply with all governing structure-height regulations, such as those of the FAA in the USA.
- Use only qualified personnel for installation, use, and maintenance of tripods and towers, and any attachments to tripods and towers. The use of licensed and qualified contractors is highly recommended.
- Read all applicable instructions carefully and understand procedures thoroughly before beginning work.
- Wear a **hardhat** and **eye protection**, and take **other appropriate safety precautions** while working on or around tripods and towers.
- **Do not climb** tripods or towers at any time, and prohibit climbing by other persons. Take reasonable precautions to secure tripod and tower sites from trespassers.
- Use only manufacturer recommended parts, materials, and tools.

Utility and Electrical

- **You can be killed** or sustain serious bodily injury if the tripod, tower, or attachments you are installing, constructing, using, or maintaining, or a tool, stake, or anchor, come in **contact with overhead or underground utility lines**.
- Maintain a distance of at least one-and-one-half times structure height, or 20 feet, or the distance required by applicable law, **whichever is greater**, between overhead utility lines and the structure (tripod, tower, attachments, or tools).
- Prior to performing site or installation work, inform all utility companies and have all underground utilities marked.
- Comply with all electrical codes. Electrical equipment and related grounding devices should be installed by a licensed and qualified electrician.

Elevated Work and Weather

- Exercise extreme caution when performing elevated work.
- Use appropriate equipment and safety practices.
- During installation and maintenance, keep tower and tripod sites clear of un-trained or non-essential personnel. Take precautions to prevent elevated tools and objects from dropping.
- Do not perform any work in inclement weather, including wind, rain, snow, lightning, etc.

Maintenance

- Periodically (at least yearly) check for wear and damage, including corrosion, stress cracks, frayed cables, loose cable clamps, cable tightness, etc. and take necessary corrective actions.
- Periodically (at least yearly) check electrical ground connections.

WHILE EVERY ATTEMPT IS MADE TO EMBODY THE HIGHEST DEGREE OF SAFETY IN ALL CAMPBELL SCIENTIFIC PRODUCTS, THE CUSTOMER ASSUMES ALL RISK FROM ANY INJURY RESULTING FROM IMPROPER INSTALLATION, USE, OR MAINTENANCE OF TRIPODS, TOWERS, OR ATTACHMENTS TO TRIPODS AND TOWERS SUCH AS SENSORS, CROSSARMS, ENCLOSURES, ANTENNAS, ETC.

Contents

PDF viewers: These page numbers refer to the printed version of this document. Use the PDF reader bookmarks tab for links to specific sections.

1. Function	1
1.1 Typical Applications	1
1.2 Compatibility	1
2. Physical Description.....	2
3. Specifications	2
4. Sensor Hook-up and Example Diagrams	3
4.1 #26972 with Stripped and Tinned Continuation Cable	4
4.2 #22018 PWENC Connector	4
4.3 #19520 CWS900 Connector	5
5. Installation.....	5
5.1 Mounting.....	5
5.2 Wiring	6

Figures

1-1. A150 desiccated case	1
1-2. A150 interior	2
4-1. CWS900 connector pin-out.....	3
4-2. A150 with continuation cable	4
4-3. A150 with PWENC connector	4
4-4. Anemometer wired to an A150	5
4-5. A150 with CWS900 connector	5
4-6. A150 wired for CS450 pressure sensor and CWS900 connector	5
5-1. Attaching a wire to the A150	6

A150 Desiccated Case

1. Function

1.1 Typical Applications

The A150 desiccated case is a small, self-contained junction box that allows a sensor to be connected to a continuation cable, a PWENC connector, or a CWS900 wireless sensor connector. Utilizing the A150, a sensor may be incorporated into a wireless sensor network or may be attached to a prewired enclosure.

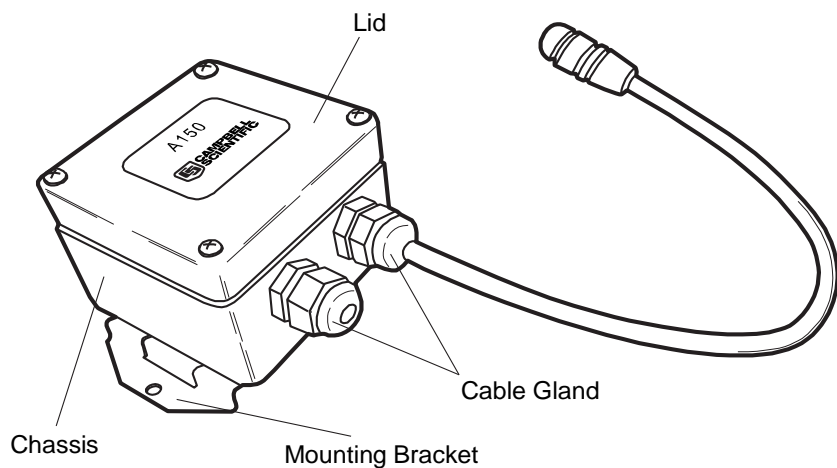


Figure 1-1. A150 desiccated case

The A150 allows the CS450 and CS455 pressure transducers to be used without the need to run a ventilation tube all the way to a datalogger enclosure. The sensor cable with a ventilation tube terminates at the A150, which contains a small vent and desiccant, while a second cable without a ventilation tube completes the connection to the datalogger.

The A150 provides a way for a sensor to be included in a wireless sensor network. The sensor is attached to the A150 junction box, and a second cable attaches the A150 to a CWS900 wireless sensor interface. This allows the sensor more flexibility and range than it would have if it were wired directly to a datalogger.

1.2 Compatibility

As a junction box, the A150 is compatible with most sensors using six wires or less. Sensors with multiple ground wires can use the included 5-position lever nut to combine the grounds into a single wire connection.

NOTE

It is not recommended to insert more than one wire into each connection on the terminal block. If it is necessary to combine wires, use the 5-position lever nut to combine the wires, and then insert the lead wire from the lever nut into the terminal block.

When used with a CWS900, the sensor can be used with sensors measuring analogue voltages, frequency, and pulse. The CWS900 can also provide excitation voltage to a sensor through the A150.

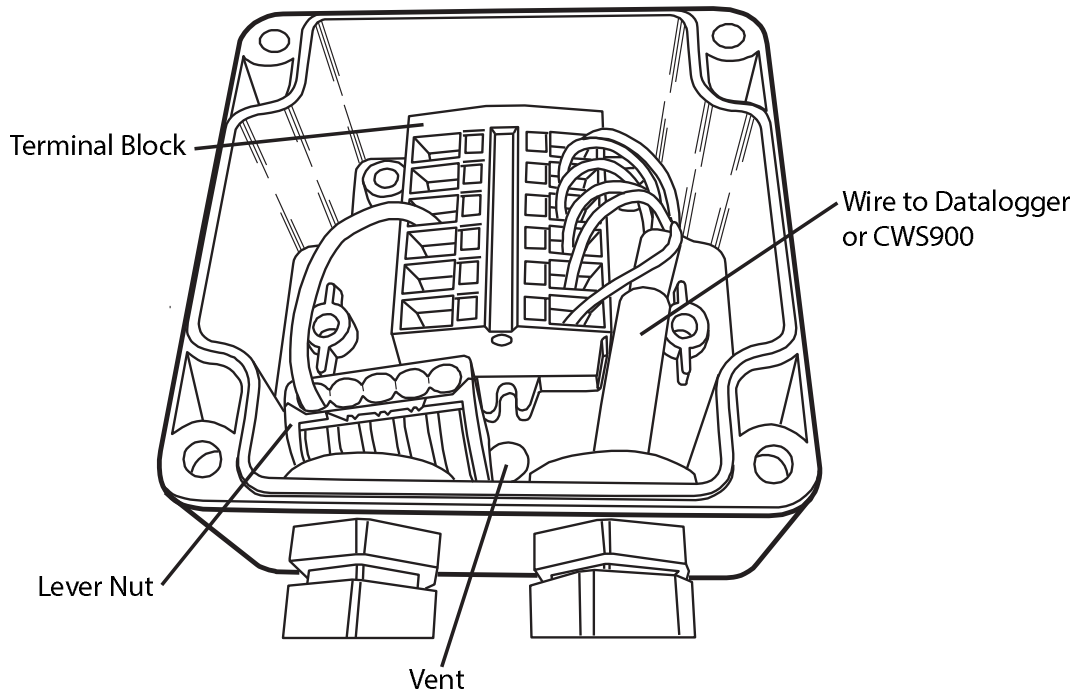


Figure 1-2. A150 interior

2. Physical Description

The A150 has an 80 mm x 82 mm x 55 mm chassis. Four screws secure the lid to the rest of the unit. A terminal block is mounted inside the chassis. A small vent is located on the bottom of the chassis. The vent is protected by a GORE[®] filter, which prevents moisture and contaminants from entering the unit while equalizing the interior air pressure to the current atmospheric pressure.

A mounting bracket is attached to the bottom of the chassis. The bracket is used to fasten the A150 inside an enclosure or, with the included Velcro[®] strap, to another location of the user's choosing.

3. Specifications

Dimensions:	80 mm x 82 mm x 55 mm (3.15 in x 3.228 in x 2.171 in)
Temperature Range:	-30 to 65 °C
Internal Protection Rating:	IP 66 (International Standard IEC 60529)
Terminal Block Wire Gauges:	28-12
5-wire Lever Nut Wire Gauges:	28-12 (replacement part number #27373)
Cable Gland	
Min/Max Cable Diameter:	4.6 mm/7.9 mm (0.181 in/0.312 in)
Desiccant Bag (1/2 Unit)	
Replacement Part Number:	#905
Velcro[®] Strap	
Replacement Part Number:	#5487

Humidity Indicator Card
Replacement Part Number: #28878

4. Sensor Hook-up and Example Diagrams

There are three options available when ordering the A150. The first option includes a stripped and tinned continuation cable. The length of this cable is specified when ordering the A150.

The second option includes a PWENC connector, allowing the A150 to be attached to prewired enclosures.

The third option includes a connector to attach the A150 to the CWS900 wireless sensor interface. The CWS900 completes the connection to the datalogger through a wireless sensor network.

Figure 4-1 shows the pin-out of the CWS900 connector. Take care that the sensor wires attached to the A150 correspond to the correct pins as shown in the diagram.

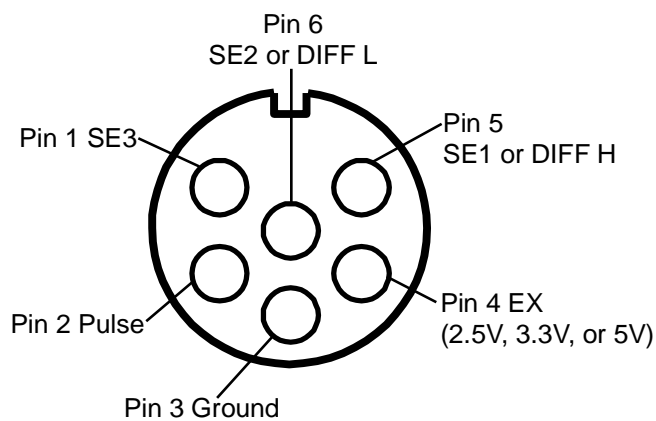


Figure 4-1. CWS900 connector pin-out

4.1 #26972 with Stripped and Tinned Continuation Cable

Figure 4-2 shows the A150 terminal block with a #26972 continuation wire attached. This configuration allows a CS450 or other sensor to be attached to the A150 while the pigtail wire completes the connection to the datalogger.

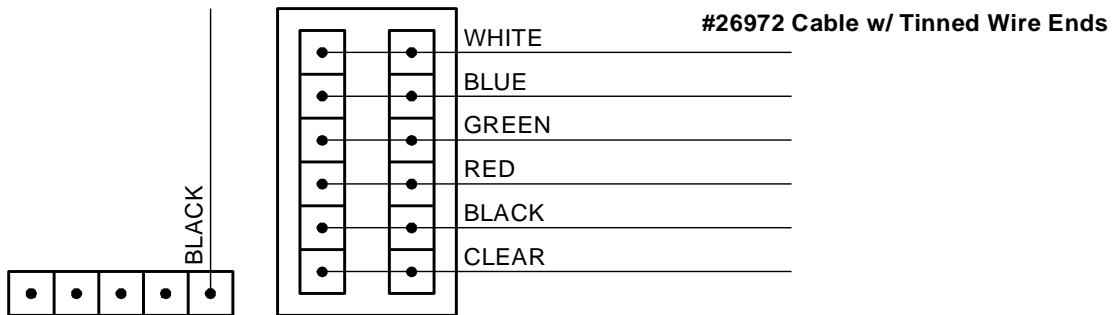


Figure 4-2. A150 with continuation cable

NOTE Wire colours may vary between different sensors. It is up to the installer to take into account any mismatched wire colours between the sensor and pigtail wire when connecting wires to the A150.

4.2 #22018 PWENC Connector

Figure 4-3 shows the A150 terminal block with a PWENC connector attached. This configuration allows a CS450 or other sensor to be attached to the A150 while the PWENC connector completes the connection to a pre-wired enclosure.

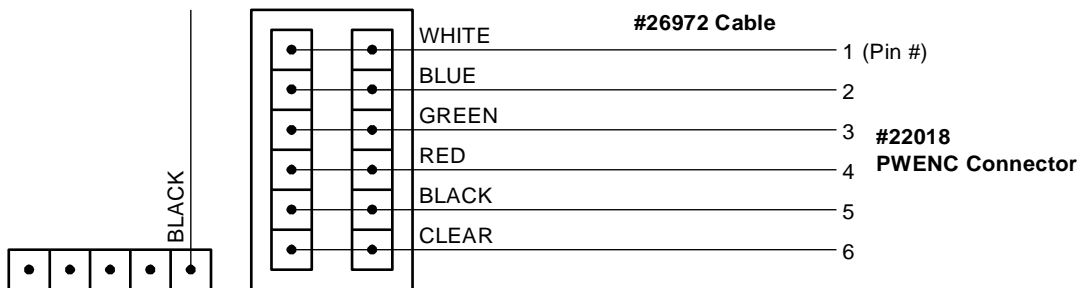


Figure 4-3. A150 with PWENC connector

NOTE When using the A150 to wire a sensor to a PWENC connector, ensure the wiring inside the pre-wired enclosure corresponds with the wiring from the sensor.

Figure 4-4 gives an example of an anemometer wired to an A150. Note that the green wire in the PWENC connector must be connected to a datalogger’s pulse input inside the enclosure for the signal to be measured.

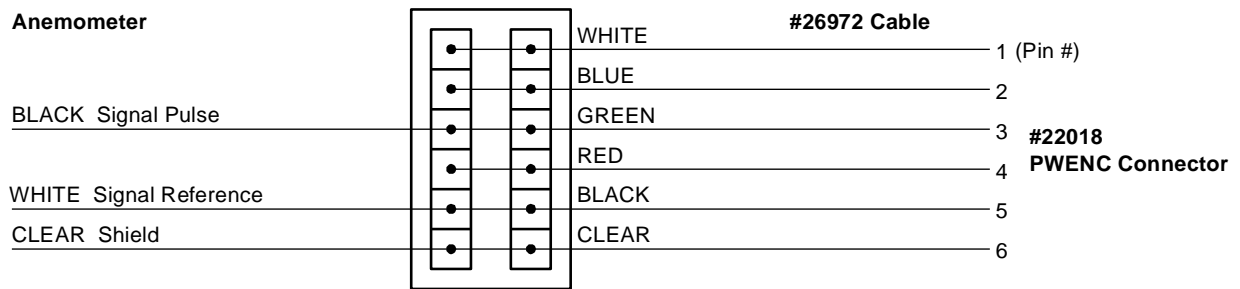


Figure 4-4. Anemometer wired to an A150

4.3 #19520 CWS900 Connector

Figure 4-5 shows the A150 terminal block with a CWS900 attached. This configuration allows a CS450 or other sensor to be attached to the A150 while the CWS900 wireless sensor interface completes the connection to the wireless sensor network.

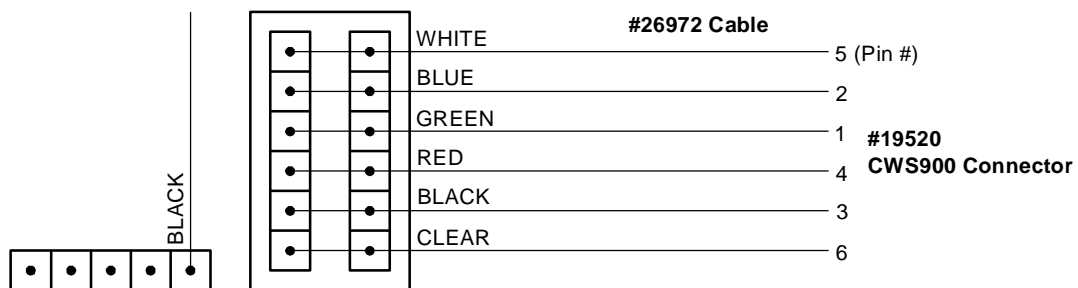


Figure 4-5. A150 with CWS900 connector

Figure 4-6 shows a CS450 connected to an A150. Note how multiple grounds are combined into a single lead wire using the lever nut.

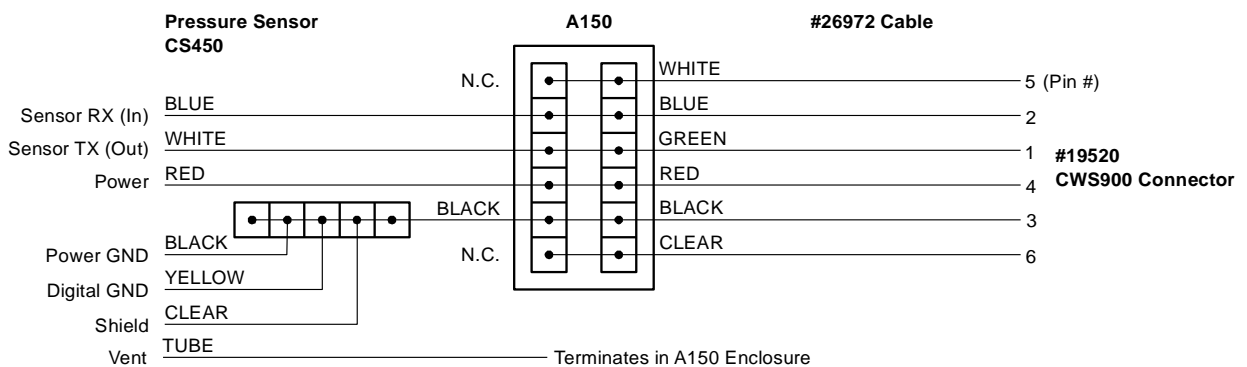


Figure 4-6. A150 wired for CS450 pressure sensor and CWS900 connector

5. Installation

5.1 Mounting

The A150 provides two options for mounting. The first is to use the Velcro® strap included with the A150. This allows the A150 to be secured to a small mast, fencepost, or other location where it is not possible to use mounting screws.

The second option is to use the mounting bracket on the back of the A150. This bracket allows the A150 to be mounted inside an enclosure or to another flat surface, using two screws through the bracket to secure the A150.

5.2 Wiring

To wire a sensor to the A150, route the sensor cable through the cable gland and attach each wire to the terminal block adjacent to the corresponding wire to the datalogger or CWS900. Use a small, flat-head screwdriver to open the wire terminal as shown in Figure 5-1. Use the lever nut to combine multiple ground wires into a single wire connection. Consult the documentation included with the sensor, or contact a Campbell Scientific application engineer, for the correct placement of each wire.

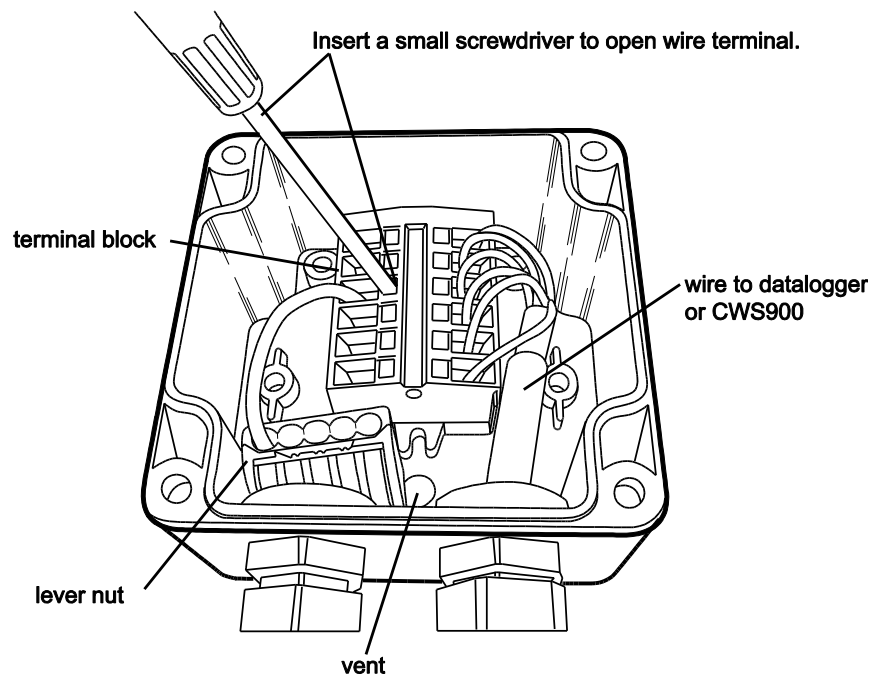


Figure 5-1. Attaching a wire to the A150

Once all wires are attached, tighten the wire gland to prevent water or contaminants from entering the A150. Place a desiccant pack, included with the A150, inside the chassis. Also place the humidity indicator card inside the A150, and then secure the lid in place with the four captured screws.

CAMPBELL SCIENTIFIC COMPANIES

Campbell Scientific, Inc. (CSI)

815 West 1800 North
Logan, Utah 84321
UNITED STATES

www.campbellsci.com • info@campbellsci.com

Campbell Scientific Africa Pty. Ltd. (CSAf)

PO Box 2450
Somerset West 7129
SOUTH AFRICA

www.csafrica.co.za • sales@csafrica.co.za

Campbell Scientific Australia Pty. Ltd. (CSA)

PO Box 8108
Garbutt Post Shop
QLD 4814 AUSTRALIA

www.campbellsci.com.au • info@campbellsci.com.au

Campbell Scientific do Brazil Ltda. (CSB)

Rua Apinagés, nbr. 2018 - Perdizes
CEP: 01258-00 São Paulo SP BRAZIL

www.campbellsci.com.br • vendas@campbellsci.com.br

Campbell Scientific Canada Corp. (CSC)

14532 – 131 Avenue NW
Edmonton, Alberta T5L 4X4
CANADA

www.campbellsci.ca • dataloggers@campbellsci.ca

Campbell Scientific Centro Caribe S.A. (CSCC)

300N Cementerio, Edificio Breller
Santo Domingo, Heredia 40305
COSTA RICA

www.campbellsci.cc • info@campbellsci.cc

Campbell Scientific Ltd. (CSL)

80 Hathern Road, Shepshed, Loughborough LE12 9GX
UNITED KINGDOM

www.campbellsci.co.uk • sales@campbellsci.co.uk

Campbell Scientific Ltd. (France)

3 Avenue de la Division Leclerc
92160 ANTONY
FRANCE

www.campbellsci.fr • info@campbellsci.fr

Campbell Scientific Spain, S. L.

Avda. Pompeu Fabra 7-9
Local 1 - 08024 BARCELONA
SPAIN

www.campbellsci.es • info@campbellsci.es

Campbell Scientific Ltd. (Germany)

Fahrenheitstrasse 13, D-28359 Bremen
GERMANY

www.campbellsci.de • info@campbellsci.de

Campbell Scientific (Beijing) Co., Ltd.

8B16, Floor 8 Tower B, Hanwei Plaza
7 Guanghua Road, Chaoyang, Beijing 100004
P.R. CHINA

www.campbellsci.com • info@campbellsci.com.cn

Please visit www.campbellsci.com to obtain contact information for your local US or International representative.